

Girard *development inc.*

P.O. BOX 338 • RANCHO CORDOVA, CA 95741 • 916/635-8159

IN STOCK

TUBE CLAMPS

nuclear grade

for

I&C tubing

and

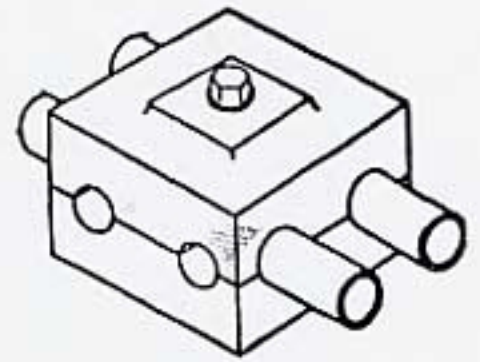
small bore pipe

OUR SEISMIC CLAMPS IN USE AT THE FOLLOWING PLANTS

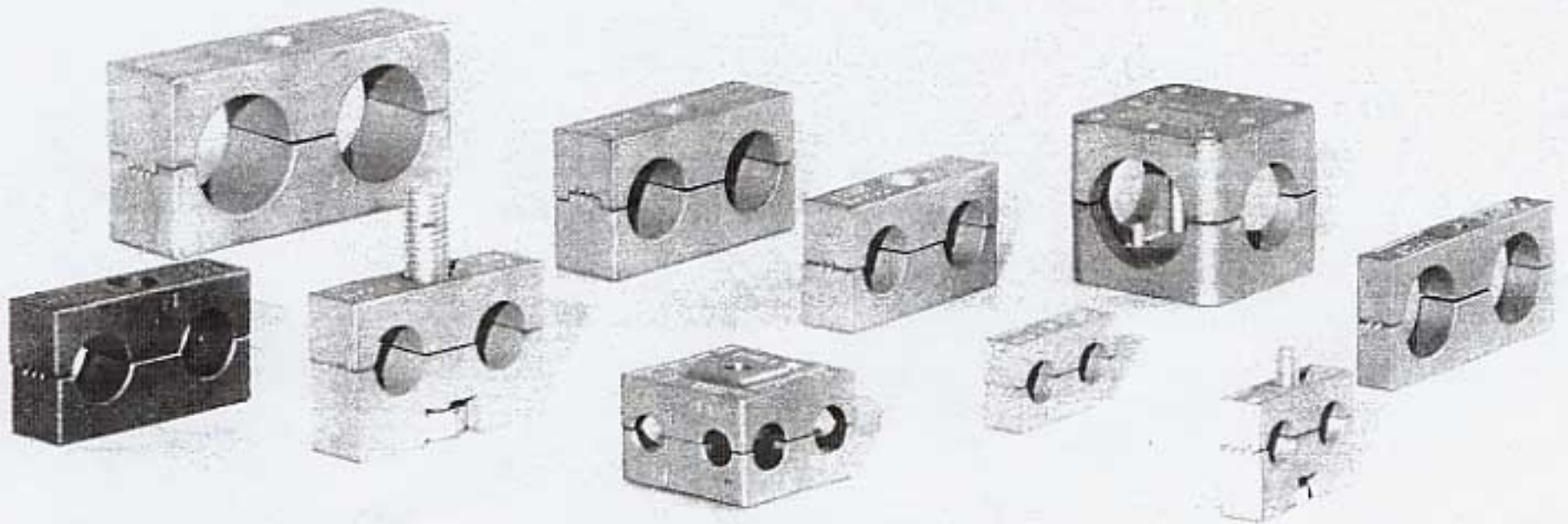
BEAVER VALLEY
CATAWBA
MILLSTONE
CONNECTICUT YANKEE
PILGRIM
ROBINSON
SURRY
POINT BEACH
HARRIS
NINE MILE POINT
SEABROOK
BELLEFONT
ST. LUCIE
LIMERICK
RIVERBEND
FITZPATRICK
PILGRIM
CLINTON
CALLOWAY
TURKEY POINT
INDIAN POINT
HATCH
SAN ONOFRE
BRUCE
WATERFORD
SUSQUEHANNA
WOLF CREEK
ZIMMER
CALVERT CLIFFS
HANFORD 2
DAVIS-BESSE
COOPER
FARLEY
ARKANSAS
CRYSTAL RIVER
GINNA
OYSTER CREEK

Girard *development inc.*

P.O. BOX 338 • RANCHO CORDOVA, CALIFORNIA 95741
PHONE (916) 635-8159



PAT & PAT. PEND



NUCLEAR GRADE SEISMIC TUBING CLAMPS

SIZES AVAILABLE:

TUBING: $\frac{3}{16}$, $\frac{1}{4}$, $\frac{3}{8}$, $\frac{1}{2}$, $\frac{3}{4}$, 1, $1\frac{1}{2}$ INCH DIAMETER

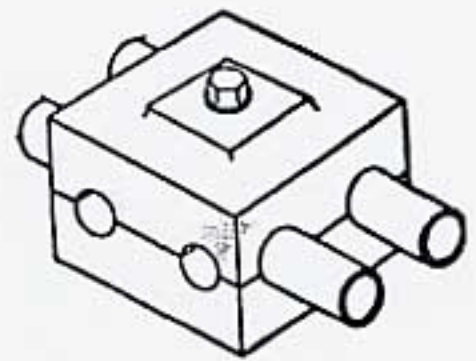
PIPE: $\frac{3}{8}$, $\frac{1}{2}$, $\frac{3}{4}$, 1 INCH DIAMETER

AVAILABLE IN STAINLESS STEEL, BRASS, MONEL

PRODUCED TO ASME III NF, NCA

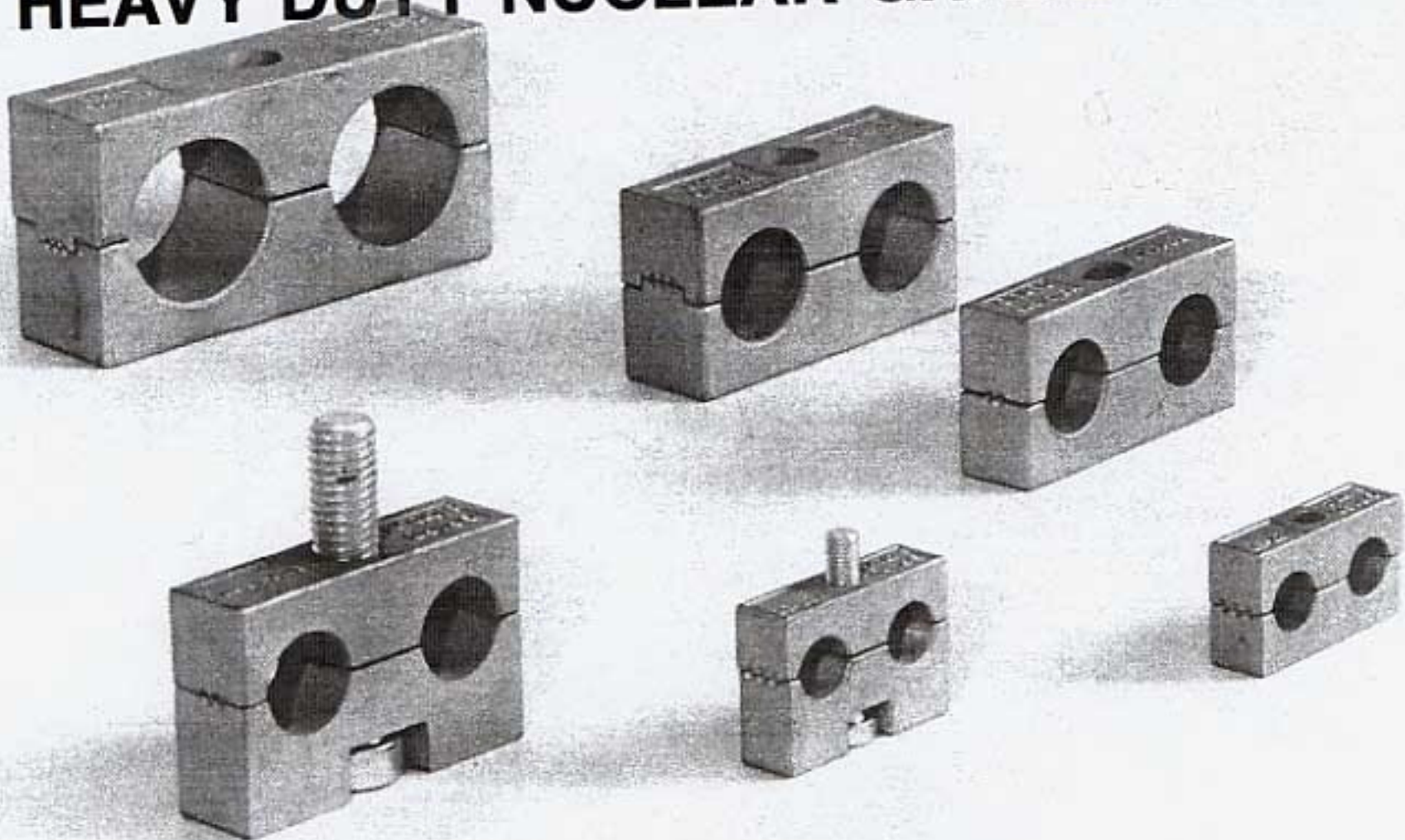
Girard development inc.

P.O. BOX 338 • RANCHO CORDOVA, CALIFORNIA 95741
PHONE (916) 635-8159



PAT. & PAT. PEND.

HEAVY DUTY NUCLEAR GRADE CLAMPS



UPPER ROW, FROM LEFT TO RIGHT

1½T-MS-2D & 3D, For 1½ inch tubing on 2¼ inch centers; Block size 4½ x 2¼ x 1¼ inches

1 T-MS-2D & 3D, For 1 inch tubing on 1¾ inch centers; Block size 3¼ x 1¾ x 1 inches

¾T-MS-2D & 3D, For ¾ inch tubing on 1½ inch centers; Block size 2¾ x 1½ x ¾ inches

LOWER ROW

¾T-MSW-2D & 3D; Weld down variation of ¾ T-MS-2D & 3D; Block size 2¾ x 1¾ x ¾ inches

LEFT; Weld down ordinary clamp; Block size 1¾ x 1¼ x ½ inches

RIGHT; Ordinary clamp. Clamps ⅜, ¼, ⅜, ½ inch tubing on 1⅝, inch centers; Block size 1¾ x 1 x ½ inches

ORDINARY SERIES CLMAPS USE ¼ INCH DIAMETER ANCHOR BOLT
MS SERIES CLAMPS USE ½ INCH DIAMETER ANCHOR BOLT

AVAILABLE IN STAINLESS STEEL, BRASS, MONEL
CLAMPS PRODUCED TO ASMEIII, NCA, NF

TUBE CLAMP PART NUMBERS

-2D signifies a tube guide, -3D signifies an anchor

1/4T-2D, -3D
3/8T-2D, -3D
1/2T-2D, -3D

Ordinary Tube Clamp for 1/4 inch tubing
Ordinary Tube Clamp for 3/8 inch tubing
Ordinary Tube Clamp for 1/2 inch tubing

3/4T-MS-2D, -2D
1T-MS-2D, -3D
1 1/2-MS-2D, -3D

Holds 2 ea. 3/4 inch tubes
Holds 2 ea. 1 inch tubes
Holds 2 ea. 1 1/2 inch tubes

Seismic 2-way Tube Clamp

1/4-3/8T-500SS-2D, -3D
3/8-1/2T-500SS-2D, -3D
3/4-1T-551SS-2D, -3D

Holds 1/4 or 3/8 inch tube
Holds 3/8 or 1/2 inch tube
Holds 3/4 or 1 inch tube

Seismic 2-way Pipe Clamp

3/8-1/2P-550SS-2D, -3D
3/4-1P-550SS-2D, -3D

Holds 3/8 or 1/2 inch pipe
Holds 3/4 or 1 inch pipe

Weld down Clamps

3/4T-MSW-2D, -2D
1T-MSW-2D, -3D
1 1/2-MSW-2D, -3D

Holds 2 ea. 3/4 inch tubes, bottom saddle welds down
Holds 2 ea. 1 inch tubes, bottom saddle welds down
Holds 2 ea. 1 1/2 inch tubes, bottom saddle welds down

3/8T-2DW, 3DW
1/2T-2DW, 3DW

Holds 2 ea. 3/8 inch tubes, bottom saddle welds down
Holds 2 ea. 1/2 inch tubes, bottom saddle welds down

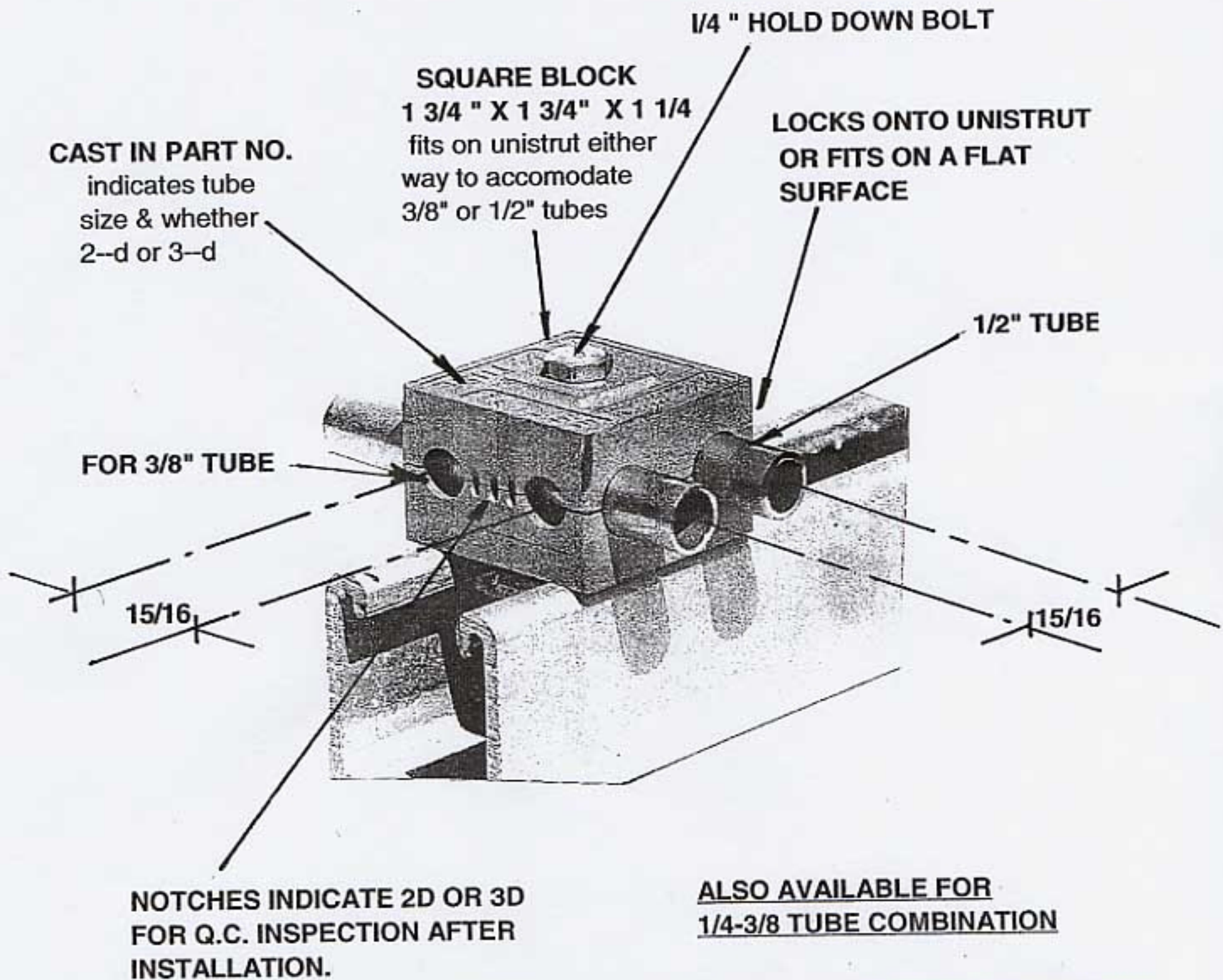
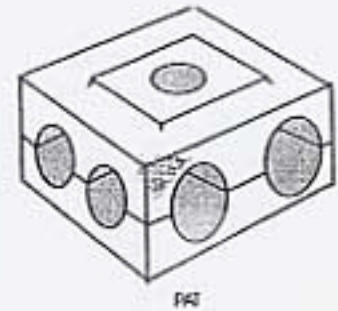
Special Clamps

1/2T-000-2D-3D-SS
1/2T-2/2-RB-3D

Guides or Anchors 1/2 inch tube, weld down, 2 bolts
Holds 2 ea 1/2 inch tubes, parallel, side by side, special for
River Bend

Girard development inc.

P.O. BOX 338 RANCHO CORDOVA, CA 95741 916/635-8159

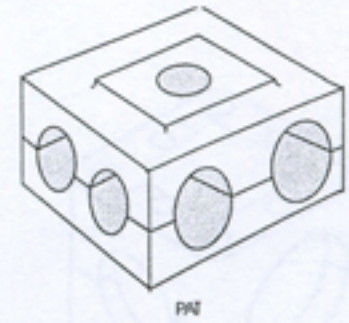


2-WAY SEISMIC TUBING CLAMP

NUCLEAR GRADE

2-DIRECTIONAL OR 3 DIRECTIONAL
STANDARD MAT'L ASTM A351 GR. CF-8 (304SS)

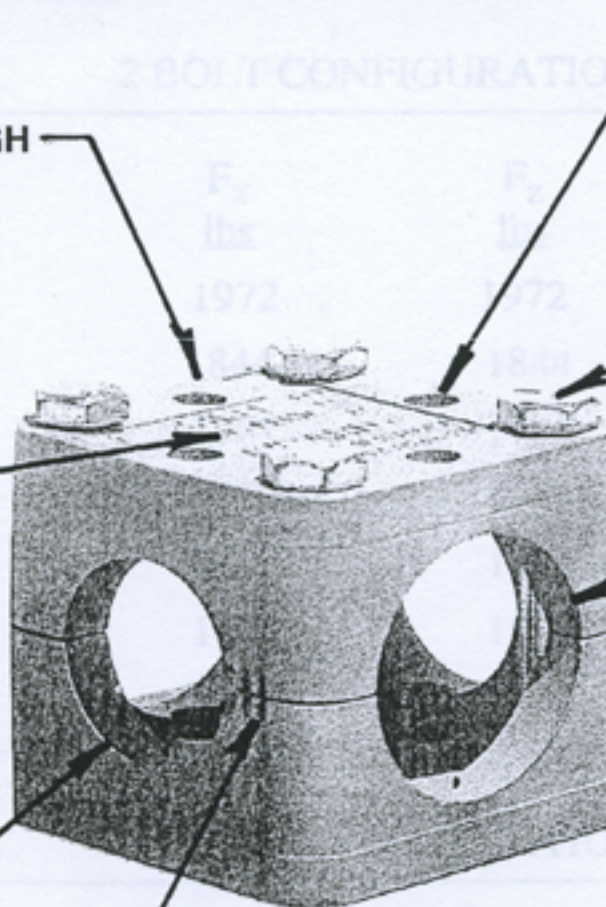
also available in monel, brass & carbon steel



PIPE CLAMP

BASIC BLOCK SIZE
APPROX. 2 1/4" X 2 1/4" X 2" HIGH
FOR ALL PIPE BETWEEN
1/4 & 1 INCH.

CAST IN PART NO.
INDICATES TUBE OR PIPE
SIZE & WHETHER
2D OR 3D.



1/4 INCH BOLT HOLES
(use 2 bolts for unistrut mounting
& light duty applications)

1/4 INCH BOLT HOLES
(use 4 bolts for heavy
load applications)

HOLE FOR 1 INCH PIPE

HOLE FOR 3/4 INCH PIPE

NOTHES INDICATE 2D OR 3D
FOR Q.C. INSPECTION AFTER
INSTALLATION.

BASIC BLOCK SIZE ALSO
ACCOMODATES 3/8 & 1/2
INCH PIPE

2-WAY SEISMIC TUBING CLAMP

FOR SMALL BORE PIPE & TUBE TO 1 INCH
NUCLEAR GRADE

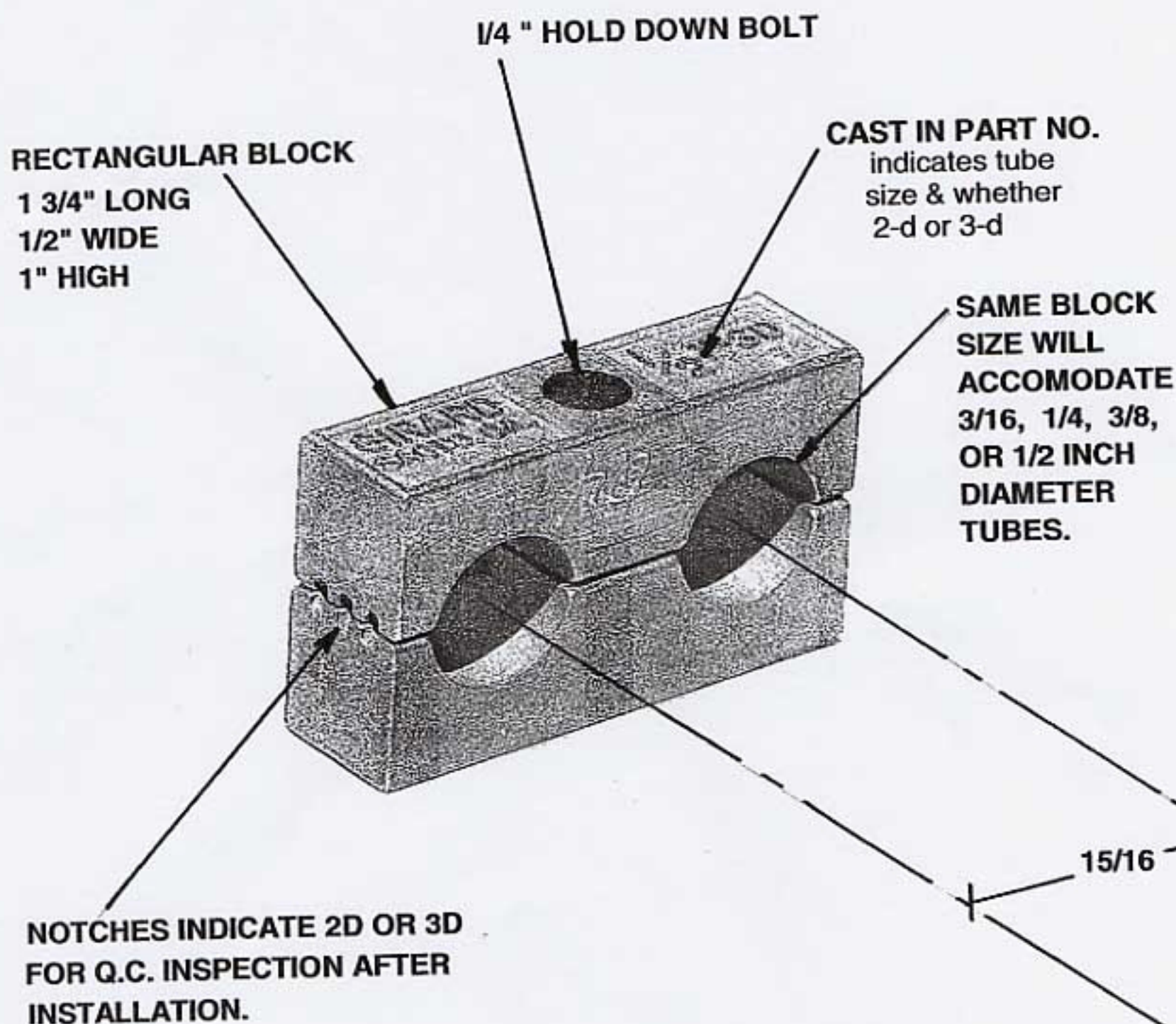
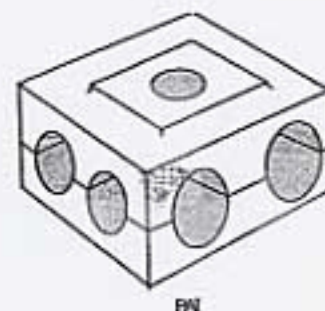
2-DIRECTIONAL OR 3-DIRECTIONAL

STANDARD MAT'L ASTM A351 GR. CF-8 (304 ss)

also available in monel, brass & carbon steel

Girard development inc.

P.O. BOX 338 RANCHO CORDOVA, CA 95741 916/635-8159



ORDINARY SEISMIC TUBING CLAMP

NUCLEAR GRADE

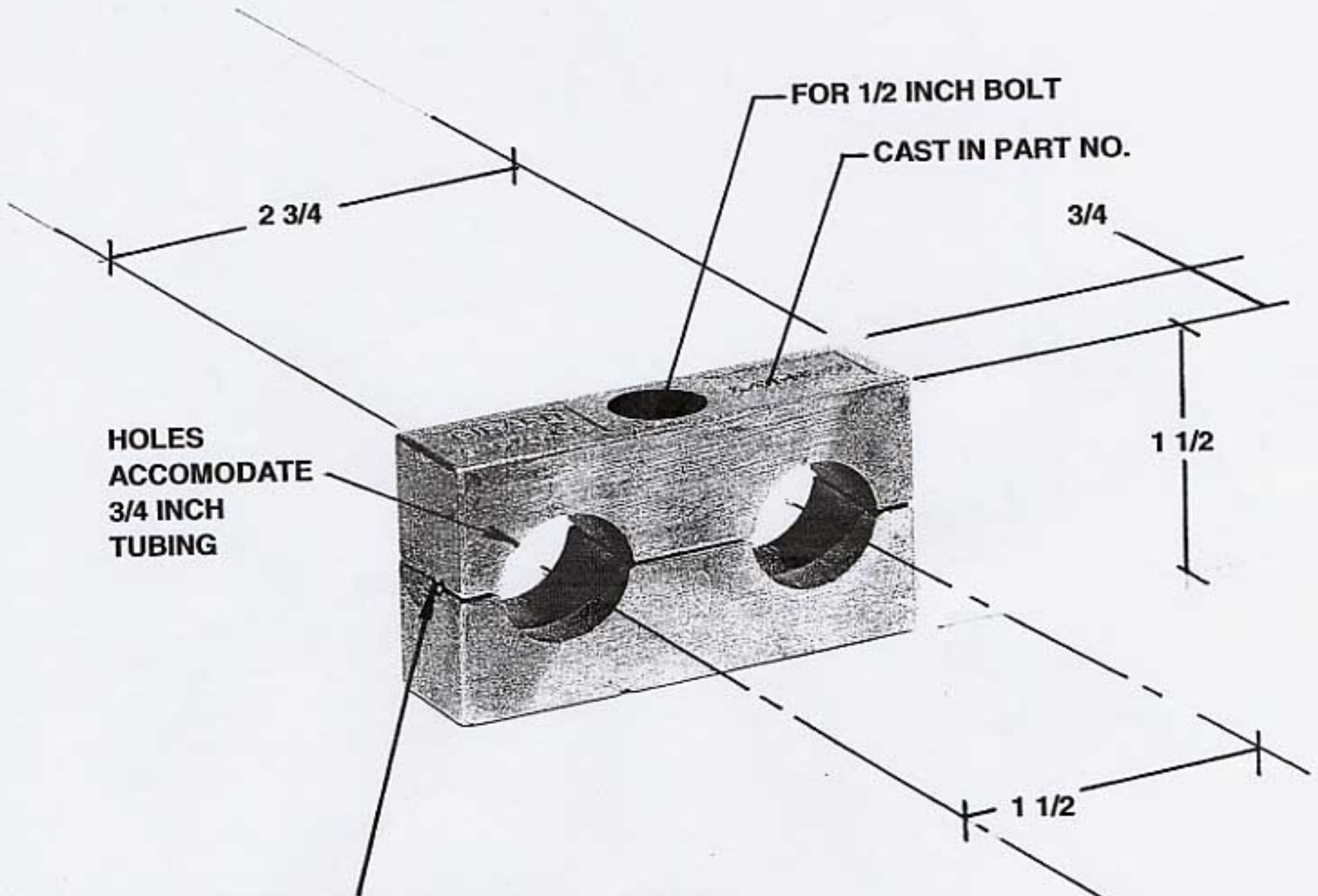
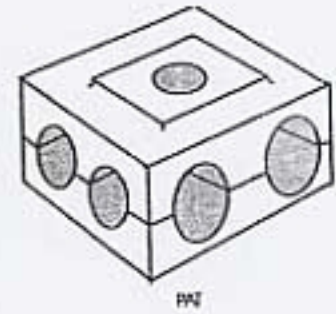
2-DIRECTIONAL OR 3-DIRECTIONAL

STANDARD MAT'L ASTM A351 GR. CF-8 (304SS)

also available in monel, brass & carbon steel

Girard development inc.

P.O. BOX 338 RANCHO CORDOVA, CA 95741 916/635-8159



NUMBER OF NOTCHES INDICATE 2D OR 3D
SO INSPECTOR CAN DETERMINE THAT HALVES ARE NOT
MIXED & CAN TELL IF CLAMP IS 2D OR 3D
FROM A DISTANCE.



NUCLEAR GRADE SEISMIC TUBING CLAMP

3/4 INCH MS SERIES

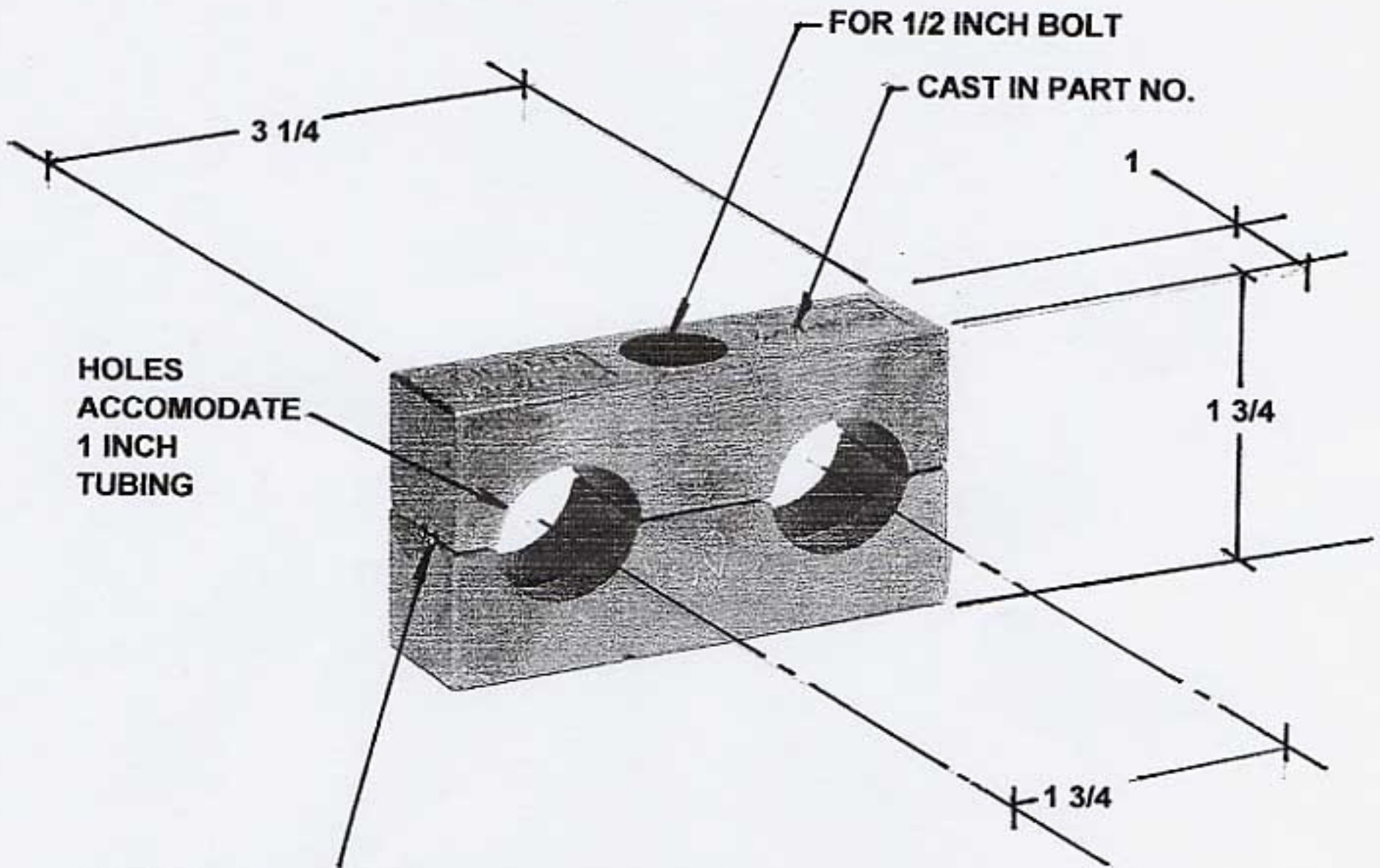
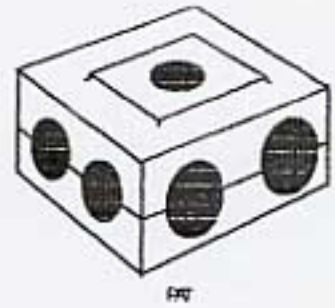
2--DIRECTIONAL OR 3 DIRECTIONAL

STANDARD MAT'L ASTM A351 GR. CF-8 (304 ss)

also available in monel, brass & carbon steel

Girard development inc.

P.O. BOX 338 RANCHO CORDOVA, CA 95741 916/635-8159



NUMBER OF NOTCHES INDICATE 2D OR 3D
SO INSPECTOR CAN DETERMINE THAT HALVES ARE NOT
MIXED & CAN TELL IF CLAMP IS 2D OR 3D
FROM A DISTANCE.

NUCLEAR GRADE SEISMIC TUBING CLAMP

1 INCH MS SERIES

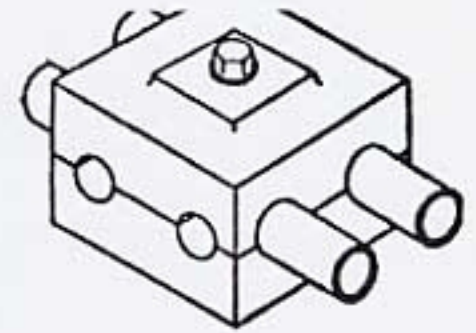
2--DIRECTIONAL OR 3 DIRECTIONAL

STANDARD MAT'L ASTM A351 GR. CF-8 (304 ss)

also available in monel, brass & carbon steel

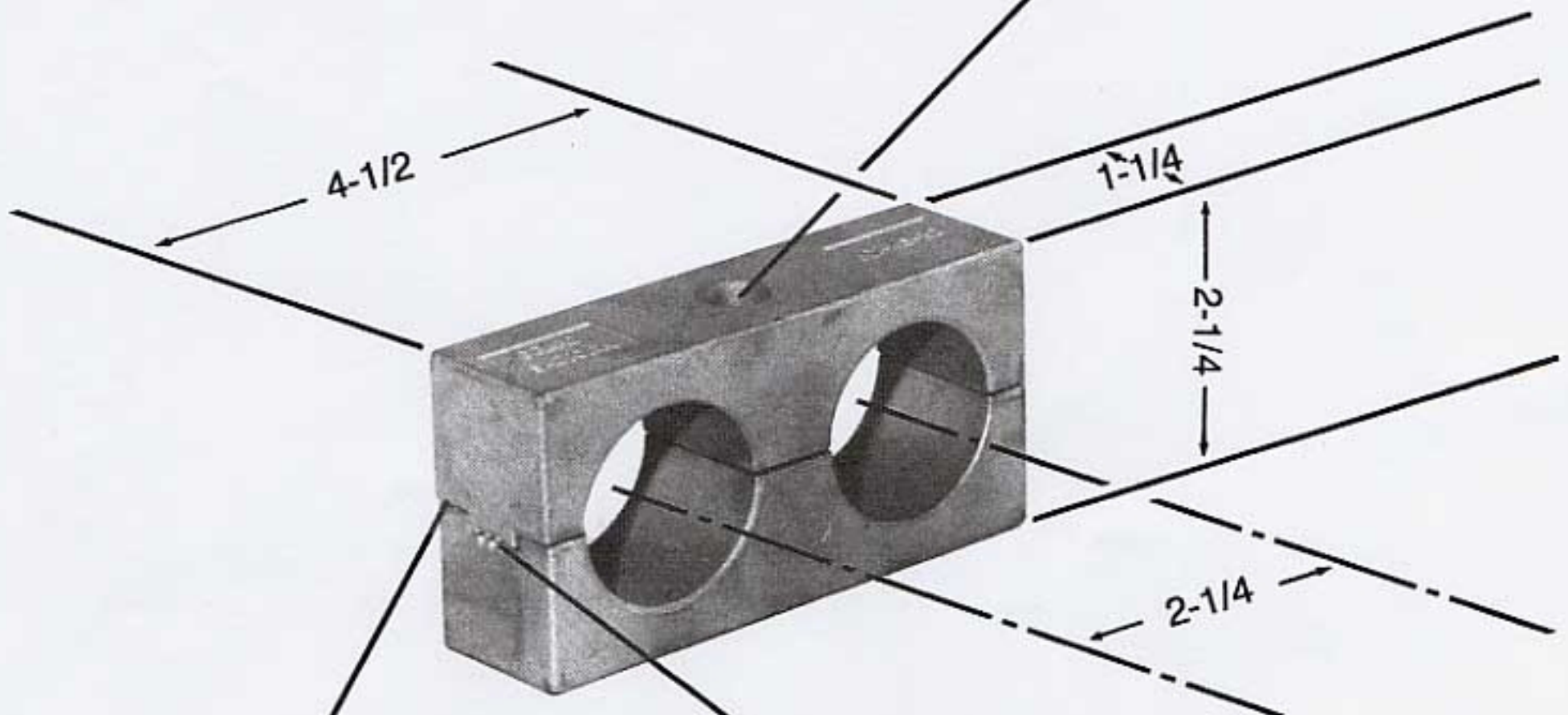
Girard development inc.

P.O. BOX 338 • RANCHO CORDOVA, CALIFORNIA 95741
PHONE (916) 635-8159



PAT. & PAT. PEND.

FOR 1/2 INCH DIAMETER BOLT

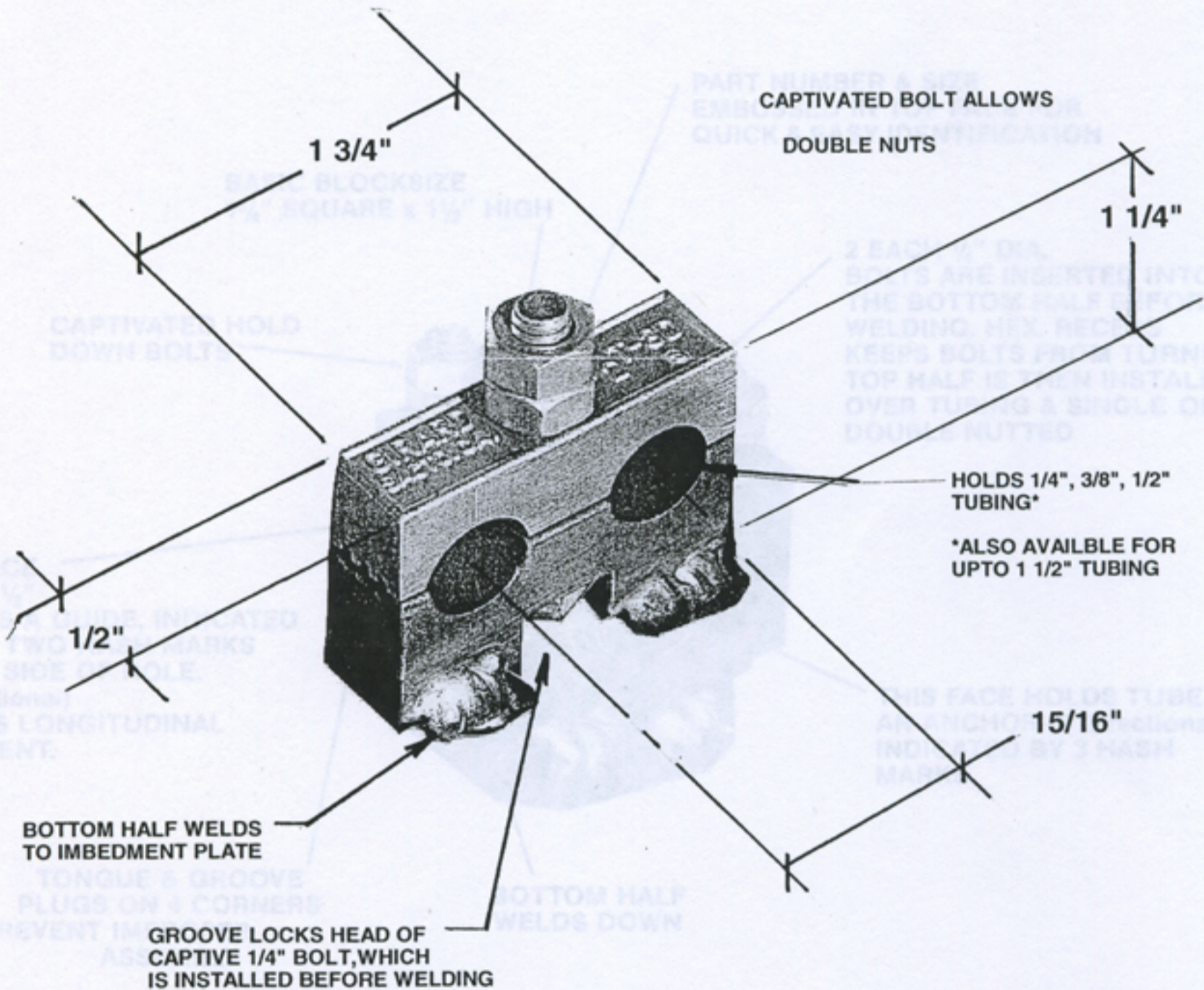
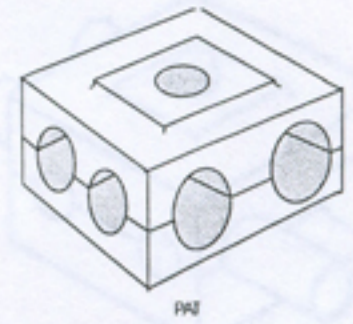


TONGUE & GROOVE
LOCK EACH SIDE SO UPPER
& LOWER HALVES STAY IN
ALIGNMENT.

NUMBER OF NOTCHES INDICATE 2D OR 3D
SO INSPECTOR CAN DETERMINE THAT HALVES ARE NOT
MIXED & CAN TELL IF CLAMP IS 2D OR 3D
FROM A DISTANCE.

NUCLEAR GRADE TUBING CLAMP

1-1/2 INCH MS SERIES
PIN: 1-1/2 T-MS-2D OR 3D
STAINLESS STEEL, BRASS, MONEL
PRODUCED TO ASME III, NF & NCA



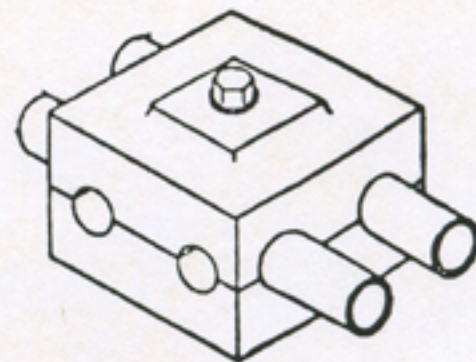
WELD DOWN

2-WAY SEISMIC TUBING CLAMP
 NUCLEAR GRADE
 2--DIRECTIONAL OR 3 DIRECTIONAL
 STANDARD MAT'L ASTM A351 GR. CF-8 (304 ss)
 also available in monel, brass & carbon steel

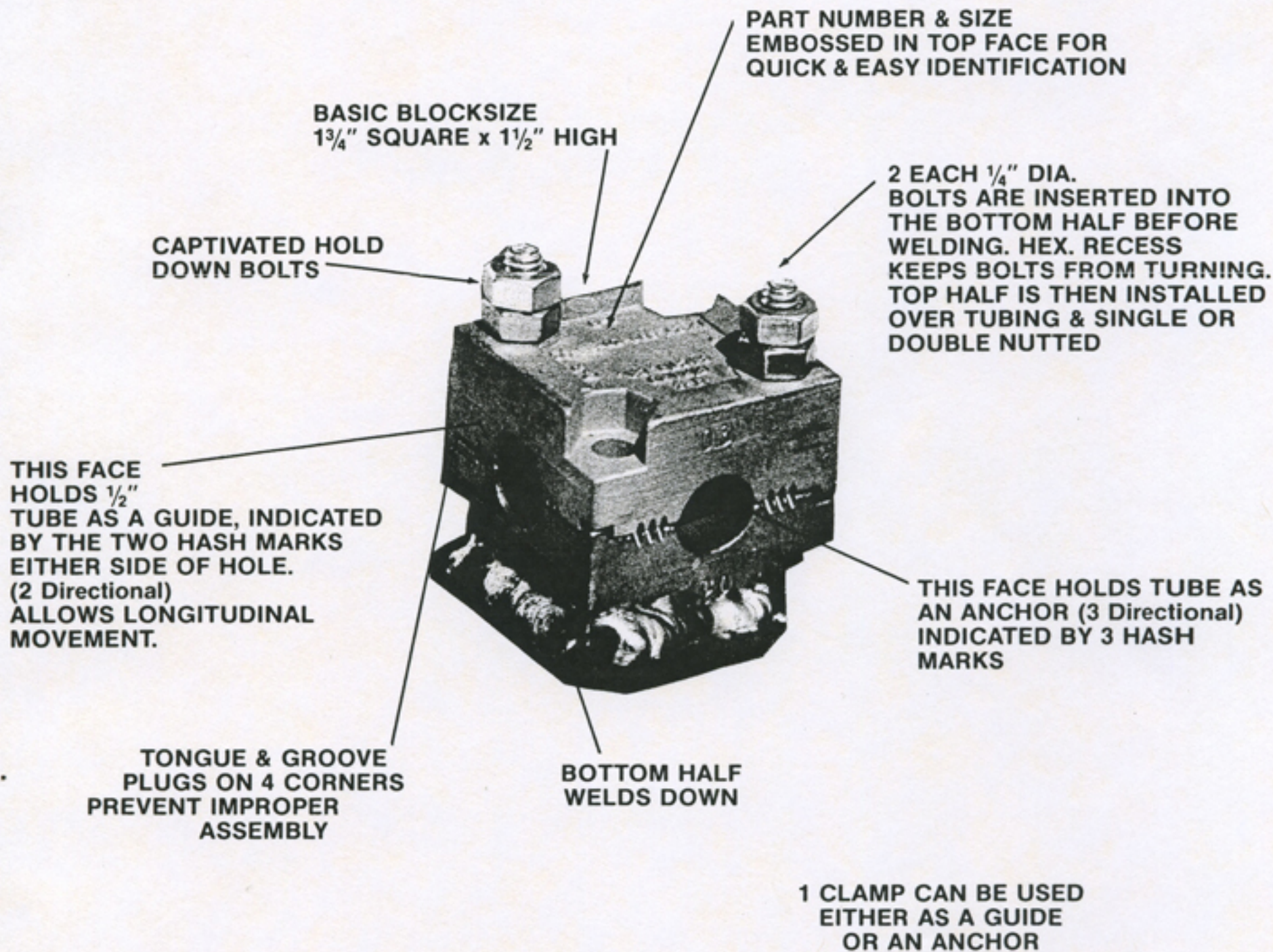
Girard development inc.

P.O. BOX 172 RANCHO CORDOVA, CALIFORNIA

Phone: (916) 635-8159



PAT. & PAT. PEND.



TUBING CLAMP

FOR INSTRUMENTATION & CONTROL TUBING

NUCLEAR GRADE, ASME III, N.F.

2 DIRECTIONAL OR 3 DIRECTIONAL

304 S.S. (ASTM A351 GR CF-8)

600 SERIES

BASIC BLOCK CLAMPS 1/4" TO 1/2" TUBE